

CEILING PROJECTOR MOUNT

CC SERIES

Rigid

Double layer Cool Roll steel circular extension pole

Safe

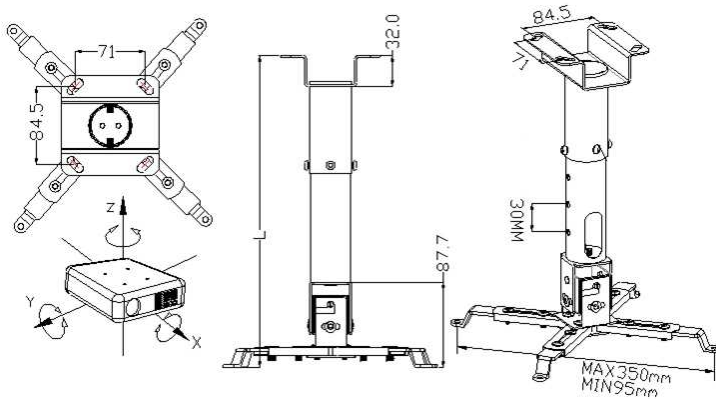
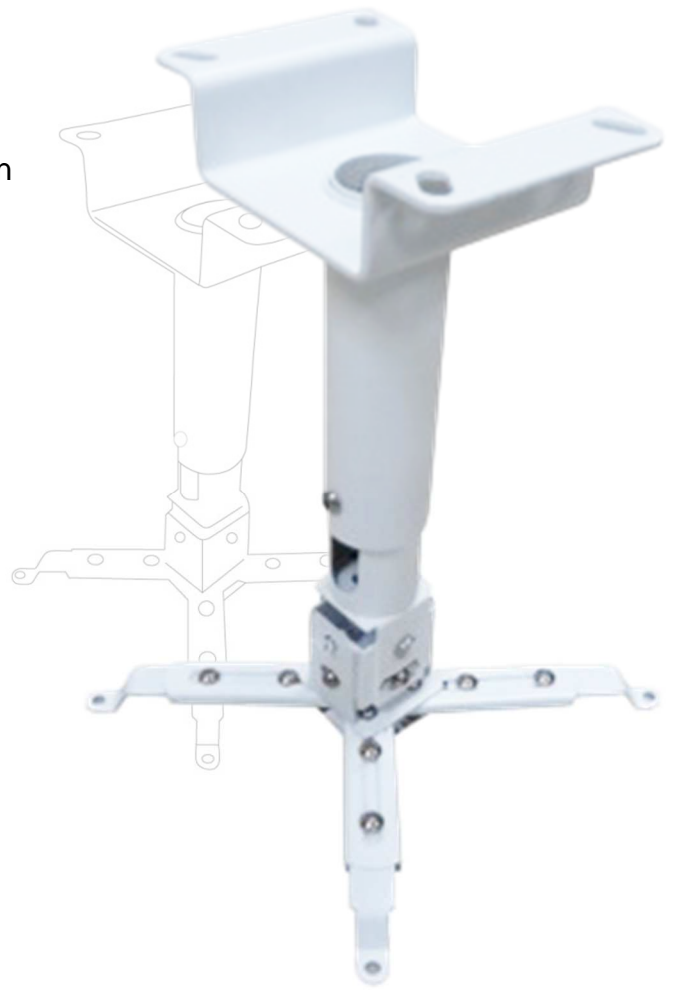
Every interval can be secured by screw

Adjustable

Pitch and Roll of projector are fully adjustable through the universal joint

Heavy Duty

Max. loading up to 20kg



Model	CC2332	CC3250	CC5086	CC86158
Min. Length (L) / mm	230	320	500	860
Max. Length (L) / mm	320	500	860	1580
Pole Material	Steel			
Height / Length Adjustment Interval / mm	30mm			
Max. adjustable length / mm	90	180	360	720
Product Dimension (LxWxH) / mm	230X290X290	320X290X290	500X290X290	860X290X290
Max. mounting hole linear distance (L1) / mm	350			
Min. mounting hole linear distance (L1) / mm	95			
Pitch / °	±22.5°			
Roll / °	±15°			
Yaw / °	±25°			
Max. loading / kg	20			
Inner Box Dimension / mm	147x167x334	147x167x334	147x167x515	147x167x875
Net Weight per single unit / kg	1.50	1.80	2.20	3.00
Gross Weight per single unit / kg	1.80	2.20	2.70	3.80
Unit per outer carton / pcs	9			
Outer Carton Box Dimension / mm	517x457x350	517x457x350	517x457x540	517x457x890
Gross Weight per Outer Carton Box / kg	17.00	20.00	24.00	35.00
Full 20' container load / pcs	2880	2880	1800	1080



Vega MFG. Ltd.

21/F, Wyler Centre Phase II, 192-200 Tai Lin Pai Road, Kwai Chung, New Territories, Hong Kong.

T +852 2310 1138 F +852 2310 2068

generalm@vegamfg.com.hk

www.vegamfg.com.hk